

Packaging item:

Closure P2 CR CL REL

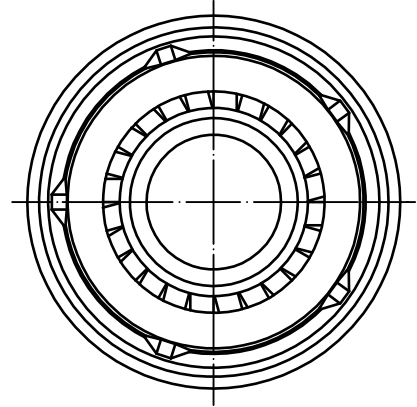
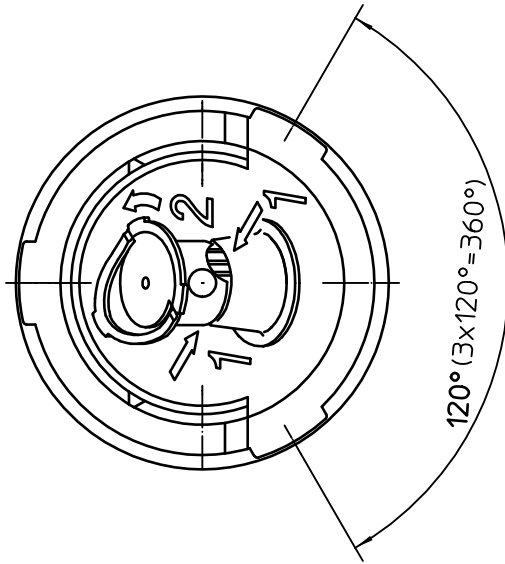
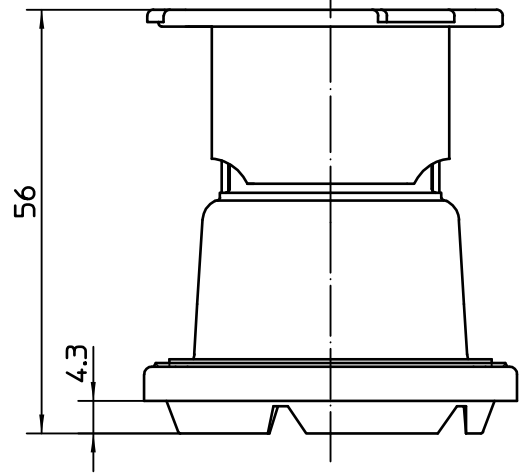
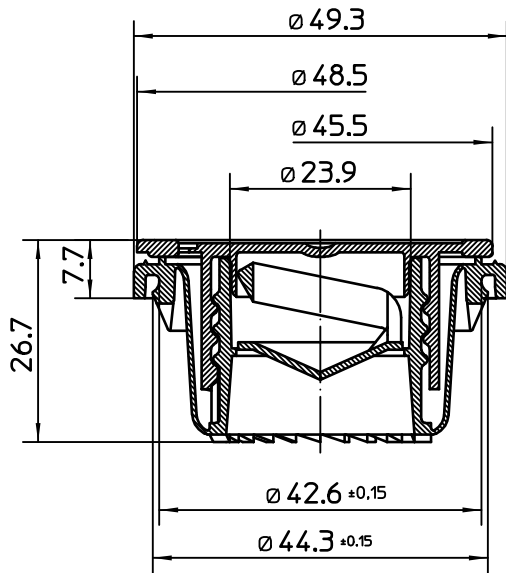
Date:

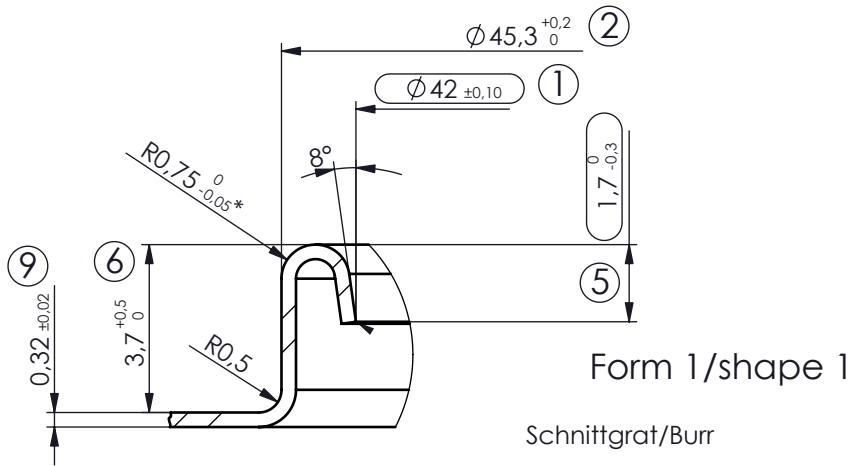
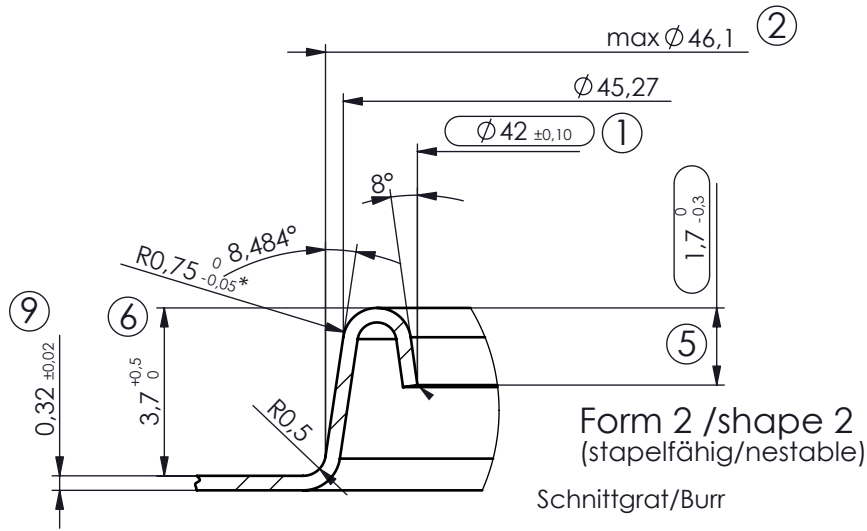
1-7-2011

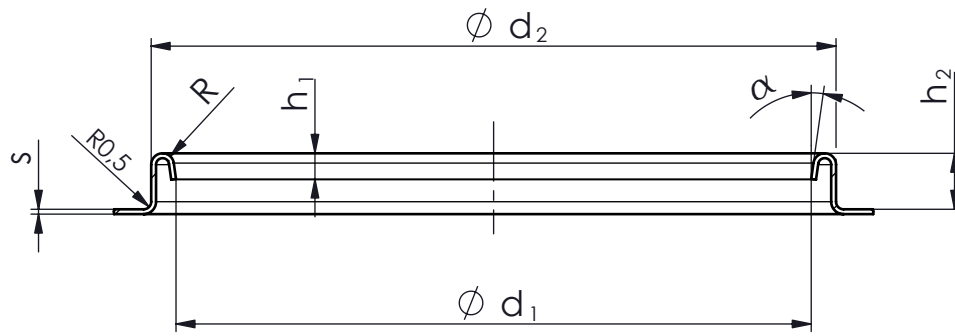
Internal code:

N/A

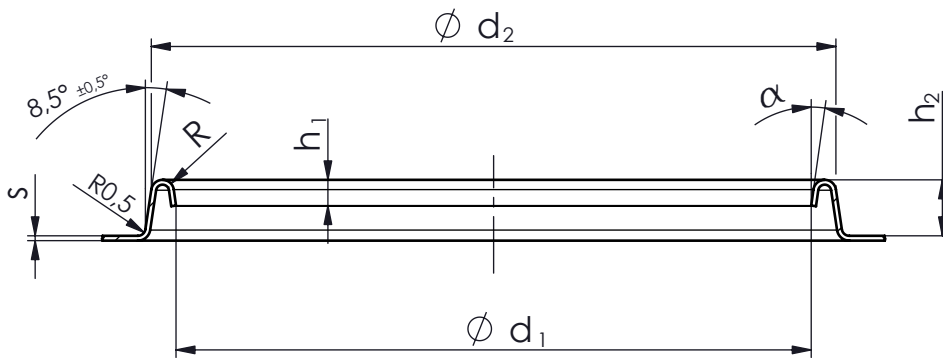
General product specification		
Description	P2 CR CL REL	
	Extendable closure for metal containers with total drainage piercing 42 mm	
	REL. Two piece, PE made screw cap, cross linked pull-up spout with tear-off	
	seal. Screw cap with bore seal and pull-up handle.	
<p>Child resistance is in accordance with Standard ISO 8317 (2003). The distributor/bottler of the packaging is responsible for guaranteeing the function of child resistance for the total packaging (container, filling material, closure) over the corresponding life span. Mus Verpakkingen BV points out explicitly that aggressive filling materials can affect the function of child resistance of the closure negatively. Child resistance function has to be examined by the distributor/bottler, before the total packaging is launched to the market.</p>		
Product properties		
Components	Resin LLDPE	
	Resin LDPE	
	Resin HDPE General	
	Resin additive	
Storage		
Storage temperature	Minimum	10°C
	Maximum	28°C
	Pallets should be stored in a clean dry area away from UV light, smells and high temperature variations. Pallets should not be double stacked.	
	Closures are to be used within 12 months after date of delivery.	
Application		
Application temperature	Minimum	18°C
	Maximum	28°C
	Meeting the above requirements does not absolve the customer from the requirement to set up the capping equipment as required and from carrying out compatibility test between the applied closure and filled product.	
	Technical assistance can be provided by Mus Verpakkingen BV.	
Packaging		
Weight (gr)	13,71 gr ± 10%	
Packaging	Carton 1.400	pcs./carton
	Cartons/pallet	20
Remarks		
Tolerances	Customer drawing tolerances relate to the results of measurement averages, except for ovality. Ovality tolerances depend upon transport conditions, packaging media, vibration and temperature.	







TYPE B - shape 1



TYPE B - shape 2

