

Packaging item:

Closure P2 PA CL REL

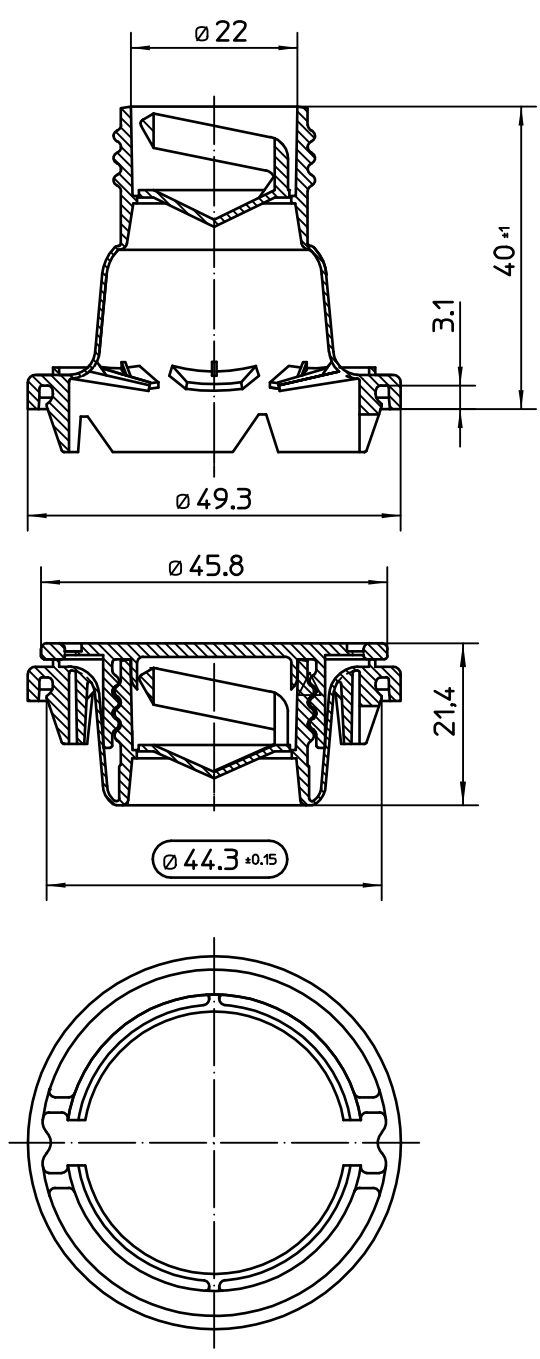
Date:

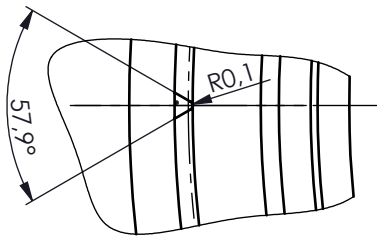
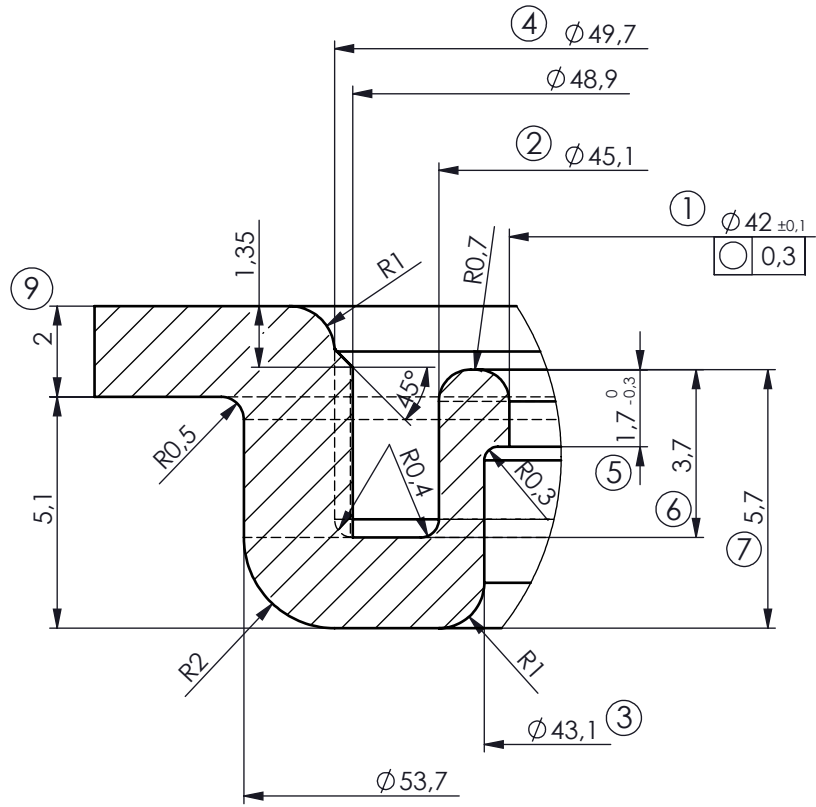
1-7-2011

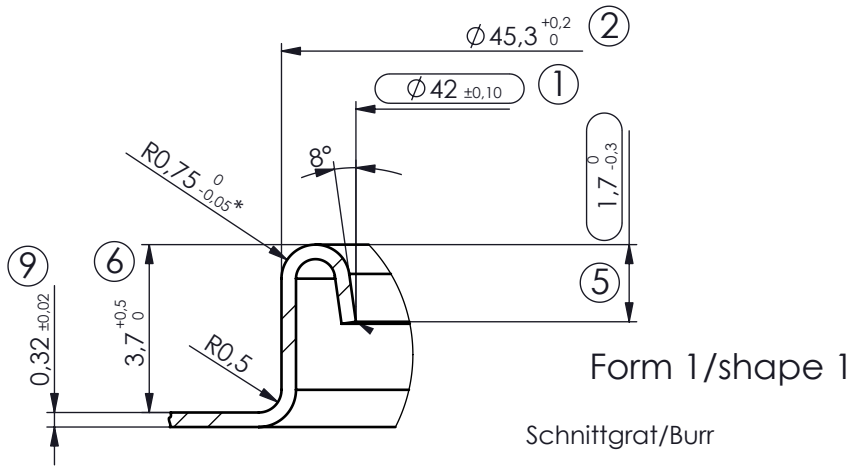
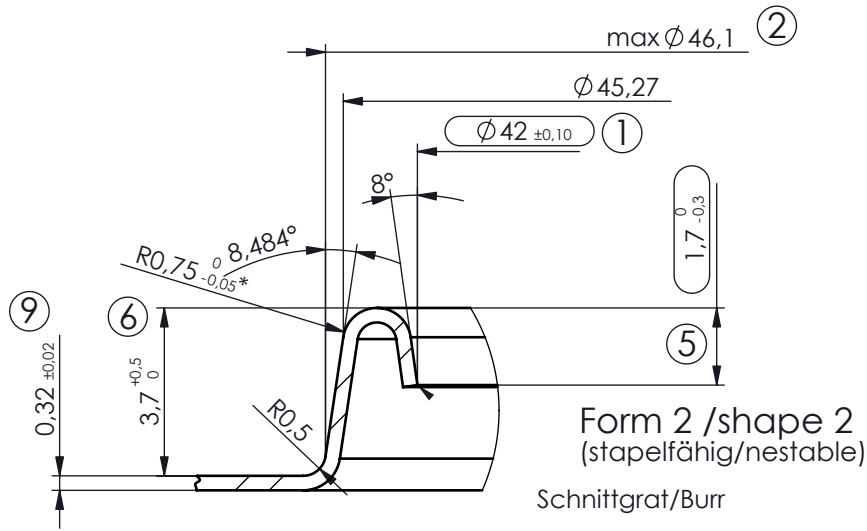
Internal code:

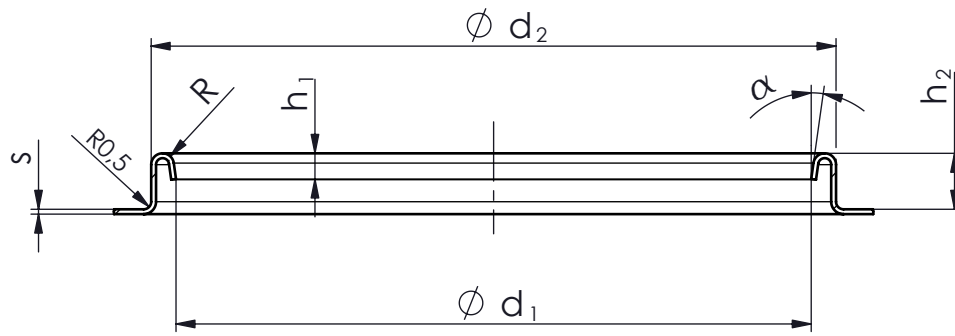
N/A

General product specification		
Description	P2 PA CL REL	
	Extendable closure for metal containers with total drainage piercing 42 mm	
	REL. Two piece, PE made screw cap, cross linked pull-up spout, with flow control and temper evidence tear-off seal. Screw cap with bore seal.	
Product properties		
Components	Resin LLDPE	
	Resin LDPE	
	Resin additive	
Storage		
Storage temperature	Minimum	10°C
	Maximum	28°C
	Pallets should be stored in a clean dry area away from UV light, smells and high temperature variations. Pallets should not be double stacked.	
	Closures are to be used within 12 months after date of delivery.	
Application		
Application temperature	Minimum	18°C
	Maximum	28°C
	Meeting the above requirements does not absolve the customer from the requirement to set up the capping equipment as required and from carrying out compatibility test between the applied closure and filled product.	
	Technical assistance can be provided by Mus Verpakkingen BV.	
Packaging		
Weight (gr)	11,31 gr ± 10%	
Packaging	Carton 1.800	pcs./carton
	Cartons/pallet	20
Remarks		
Tolerances	Customer drawing tolerances relate to the results of measurement averages, except for ovality. Ovality tolerances depend upon transport conditions, packaging media, vibration and temperature.	

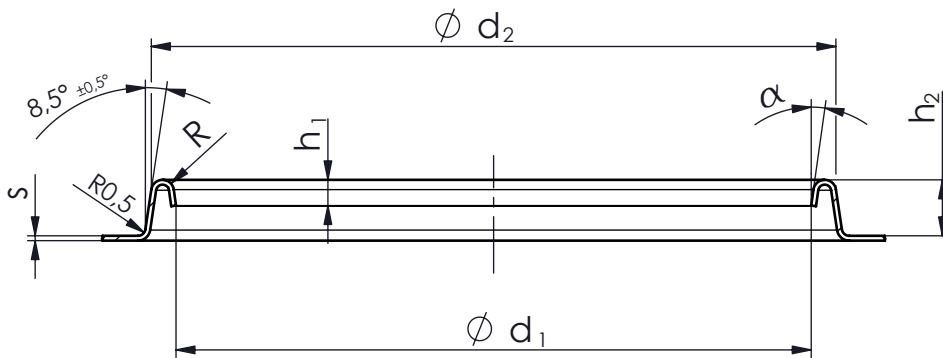








TYPE B - shape 1



TYPE B - shape 2