

Packaging item:

Closure P2 REL (1164903)

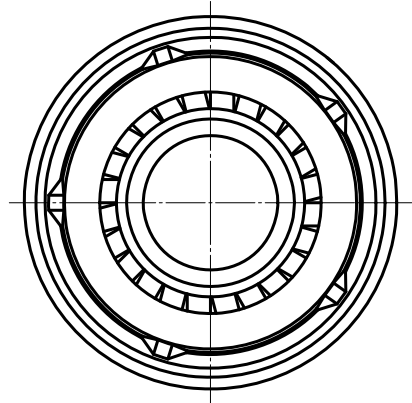
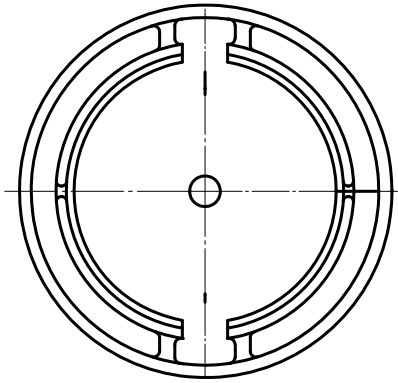
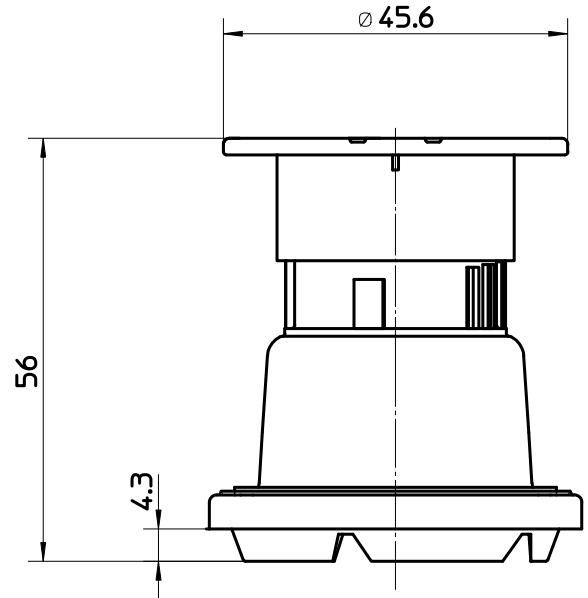
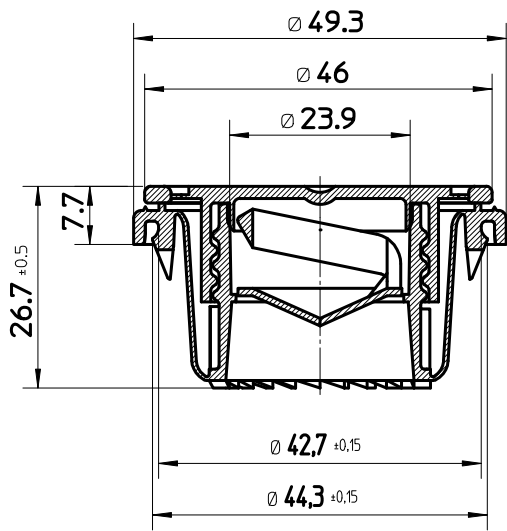
Date:

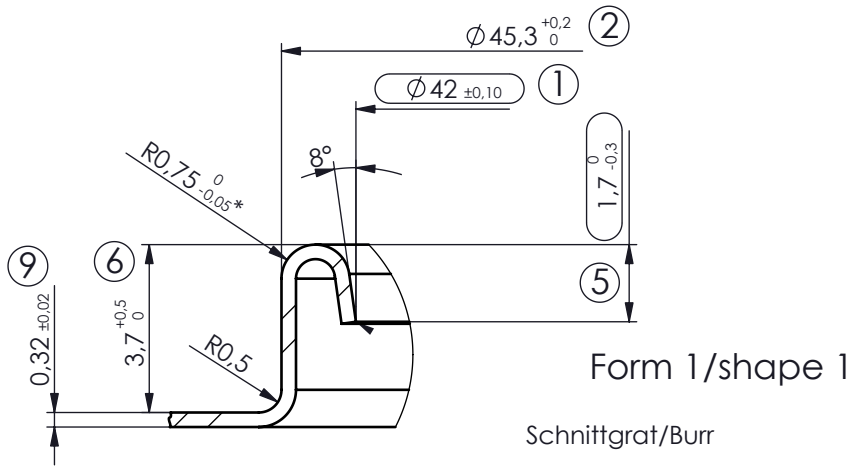
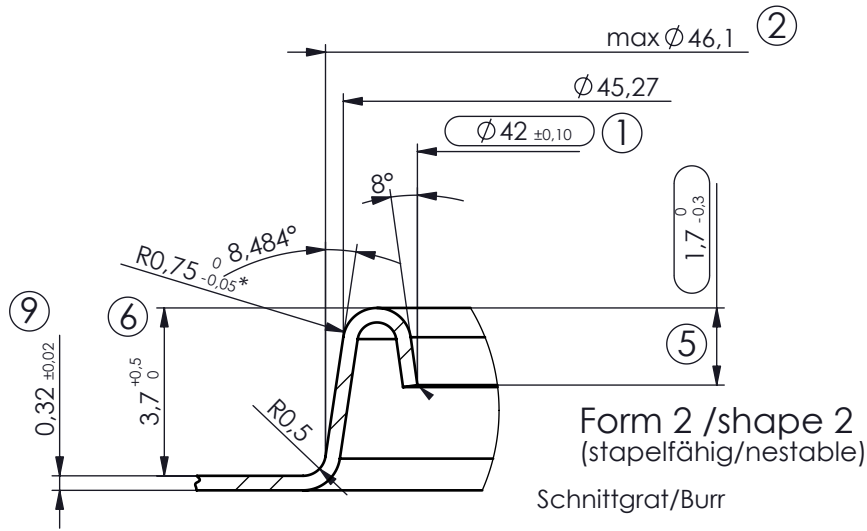
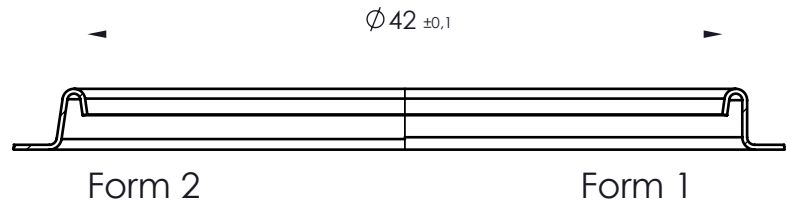
15-9-2012

Internal code:

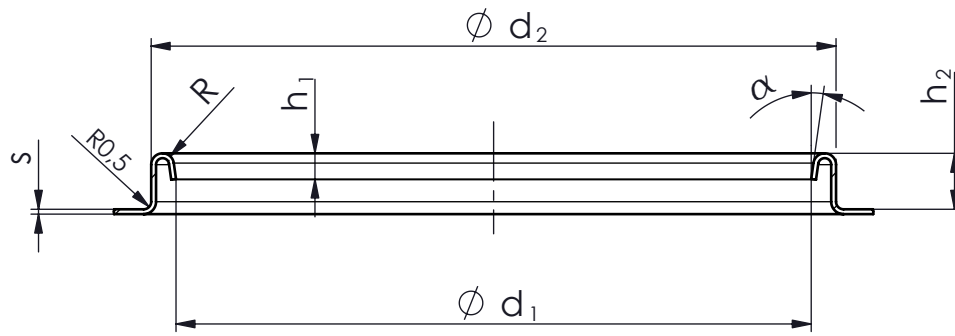
N/A

General product specification		
Description	P2	
	Extendable closure for tin plate containers, with two piece, for 42 mm REL	
	piercing. Extendable pull-up spout with tear-off seal. Screw cap with bore	
	seal and pull-up handle.	
Product properties		
Components	Resin LLDPE	
	Resin HDPE General	
	Resin additive	
Storage		
Storage temperature	Minimum	10°C
	Maximum	28°C
	Pallets should be stored in a clean dry area away from UV light, smells and	
	high temperature variations. Pallets should not be double stacked.	
	Closures are to be used within 12 months after date of delivery.	
Application		
Application temperature	Mininum	18°C
	Maximum	28°C
	Max. head pressure	400 N
	Meeting the above requirements does not absolve the customer from the	
	requirement to set up the capping equipment as required and from carrying	
	out compatibility tests between the applied closure and filled product.	
	Technical assistance can be provided by Mus Verpakkingen BV.	
Packaging		
Weight (gr)	12,90 gr ± 10%	
Packaging	Carton 1.400	pcs./carton
	Cartons/pallet	20
Remarks		
Tolerances	Customer drawing tolerances relate to the results of measurement averages,	
	except for ovality. Ovality tolerances depend upon transport conditions,	
	packaging media, vibration and temperature.	

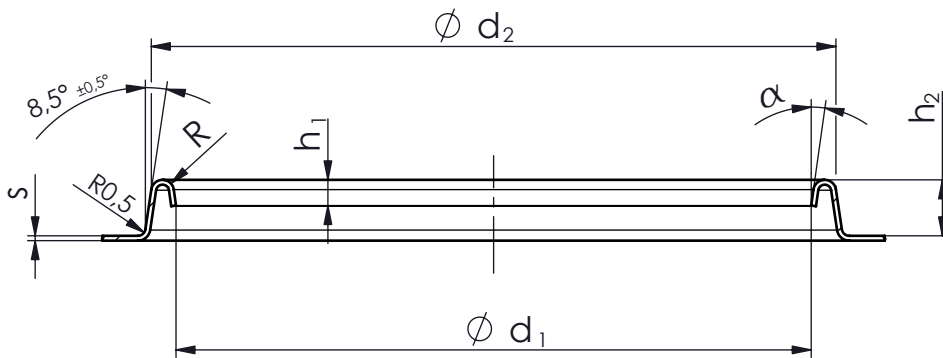




*Werkzeugmass/Tool Dimension



TYPE B - shape 1



TYPE B - shape 2