

**Packaging item:**

Closure SK 38/23 PV IHS + PV MIS

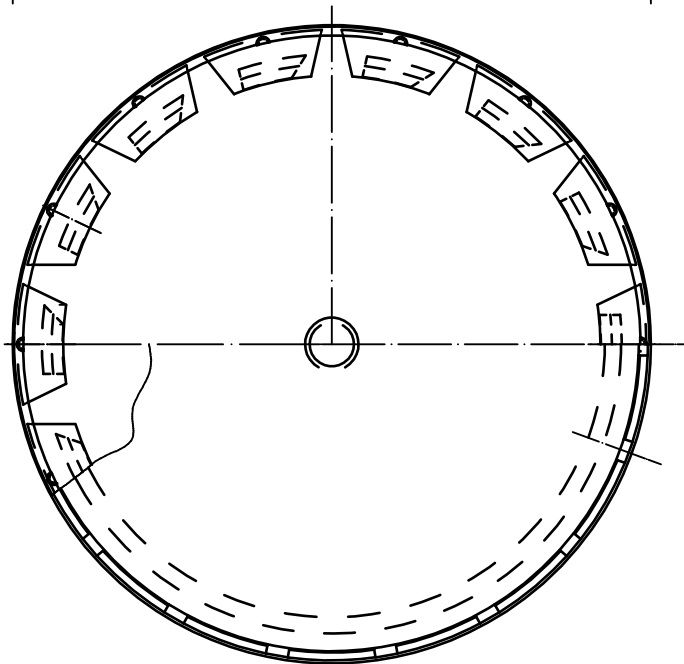
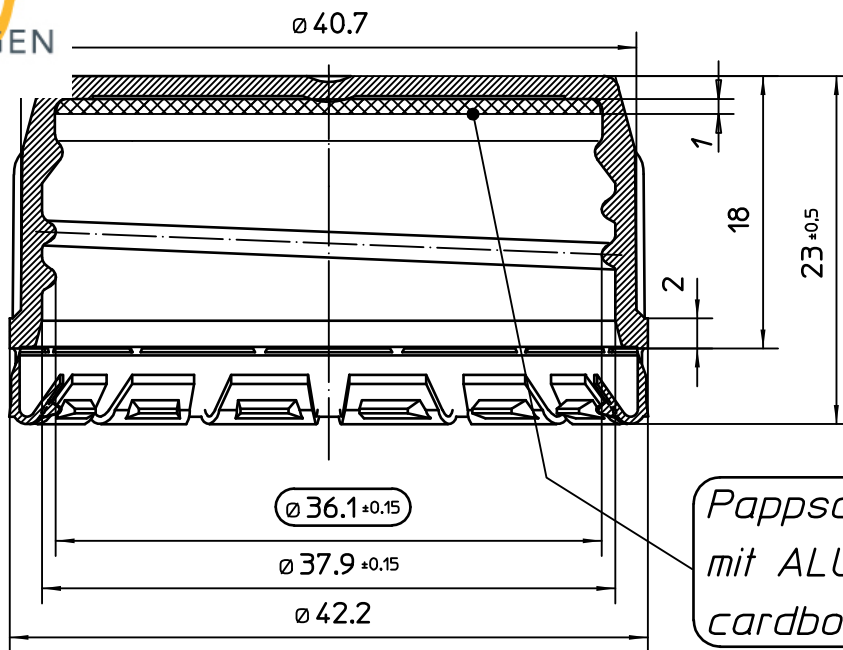
**Date:**

1-7-2011

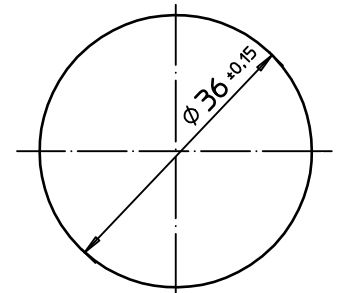
**Internal code:**

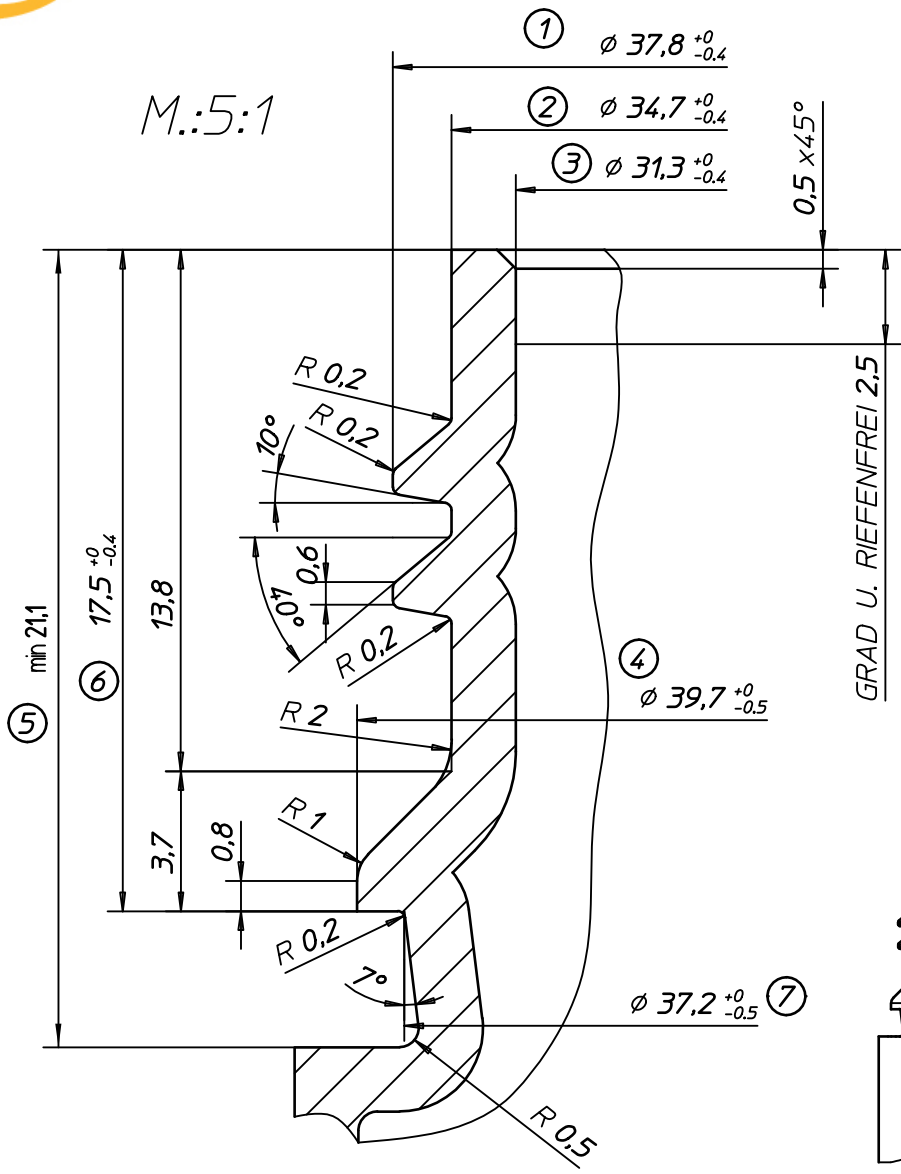
N/A

General product specification		
Description	SK 38/23 PV IHS + PV MIS	
	Screw cap with tamper evidence band for plastic containers with 38mm neck finish. Two piece, PE made wit ALU-permeation barrier.	
Product properties		
Components	Resin HDPE General	
	Resin HPDE OrgLeptic	
	Resin EVA General	
	Resin additive	
	IHS PE liner/cardb.	
	IHS PE liner	
	IHS PET liner/cardb.	
	BAR liner	
Storage		
Storage temperature	Minimum	10°C
	Maximum	28°C
	Pallets should be stored in a clean drya area away from UV light, smells and high temperature variations. Pallets should not be double stacked.	
	Closures are to be used within 12 months after date of delivery.	
Application		
Application temperature	Minumum	18°C
	Maximum	28°C
	Manual apl. Torque	2,5 Nm (22,08 Inch lbs) ± 20%
	Max. head pressure	100 N
	Meeting the above requirements does not absolve the customer from the requirement to set up the capping equipment as required and from carrying out compatibility test between the applied closure and filled product.	
	Technical assistance can be provided by Mus Verpakkingen BV.	
Packaging		
Weight (gr)	6,38 gr ± 10%	
Packaging	Carton 1.800	pcs./carton
	Cartons/pallet	20
Remarks		
Tolerances	Customer drawing tolerances relate to the results of measurement averages, except for ovality. Ovality tolerances depend upon transport conditions, packaging media, vibration and temperature.	



Dichtscheibe/wad





right hand thread  
single thread  
720° turns  
pitch 3 mm

