

Packaging item:	Ø286 mm Conical UN
	UN Lug closed cover 286 and spout (system)
Date:	1-7-2012
Internal code:	N/A

Body construction	
Material	Tinplate *)
Tin Coating	E2.0/2.0
Thickness (mm)	0,35
Side seam	Welded
Side stripe inside	Plain/powder
Coating inside	Plain/lacquered
Coating outside	Plain/lacquered/decorated
Bottom construction	
Material	Tinplate *)
Tin Coating	E2.0/2.0
Thickness (mm)	0,38
Compound type	Synthetic rubber
Coating inside	Plain/Imcare
Coating outside	Plain/Imcare
Ear construction	
Material	Tinplate *)
Tin Coating	E2.0/2.0
Thickness (mm)	0,38
Feature	2 Welded ears
Bail handle construction	
Material	Zinc coated wire (3.8 mm)
Plastic grip	PE, round
Top	
Material	Tinplate *)
Tin Coating	E2.0/2.0
Thickness (mm)	0,49
Cover type	ULDS286
Gasket	PVC
Coating inside	Plain/lacquered
Coating outside	Plain/lacquered
Mass (g) ± 5%	484
Closure	
Type	N.a.

Packaging item:

Ø286 mm Conical UN

Date:

1-7-2012

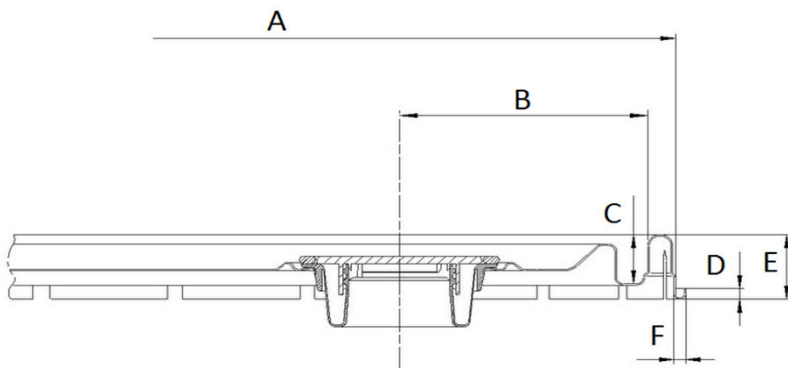
Internal code:

N/A

Capacities, weights and dimension				
Nominal height	Conipail type	Maximum capacity (l)	Weight ± 5% (g)	Factory finished can height (mm)
237,0	BPCS132	13,2	931,0	237 +4/-0
293,0	BPCS165	16,5	1069,0	293 +4/-0
353,0	BPCS201	20,1	1208,0	353 +4/-0
370,0	BPCS212	21,2	1243,0	370 ± 2
378,0	BPCS217	21,7	1266,0	378 +4/-0
390,0	BPCS221	22,1	1283,0	390 ± 2
404,0	BPCS231	23,1	1325,0	404 +4/-0
440,0	BPCS255	25,5	1420,0	444 +4/-0
466,0	BPCS270	27,0	1474,0	466 +4/-0
Remarks				
Approval			UN/1A2/Y1.8/100/--/NL/PR2255	
Suitability			BPSC132 up to BPCS270	

*) Tinplate according to EN10202, except for Imcare components

UN lug cover 286 (system) and spout

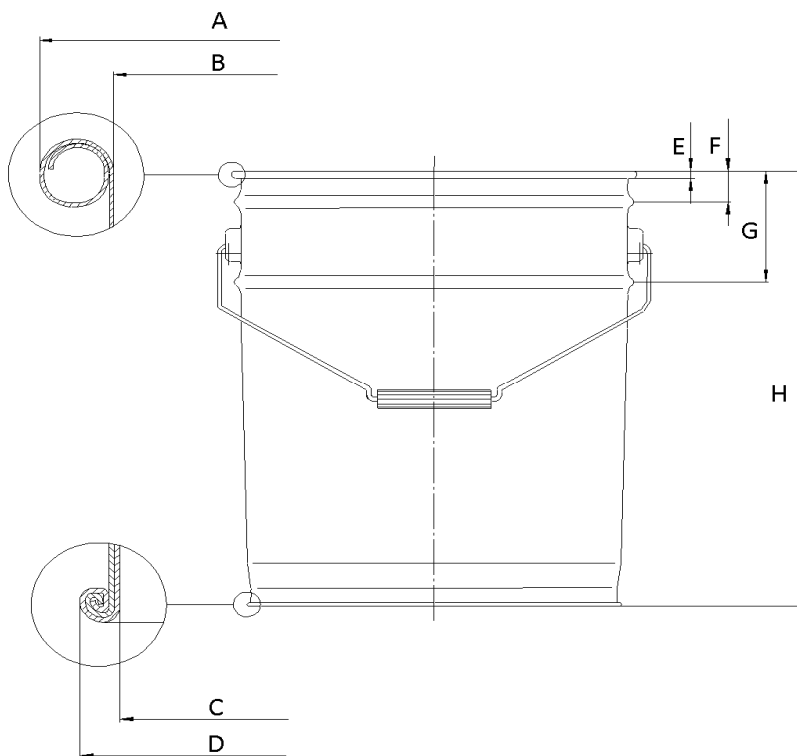


Dimensions

A	303.75
B	80 +3/-0
C	16
D	4.5
E	26.5
F	4.5

Approval	UN/1A2/Y1.8/100/--/NL/PR2255
Suitability	BPSC132 up to BPSC270

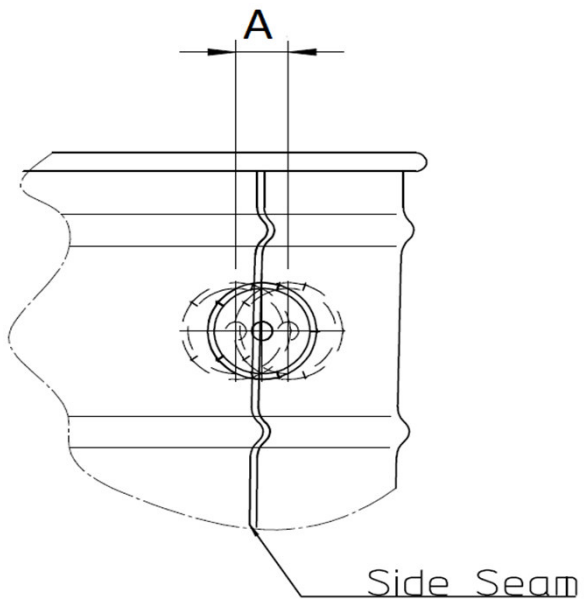
CAN DRAWING



Dimensions

A	300
B	286
C	269
D	276
E	7
F	25
G	90
H	See page 1
J	-
K	-

Bail ear position



Bail ear position

A	0 ± 10
---	------------