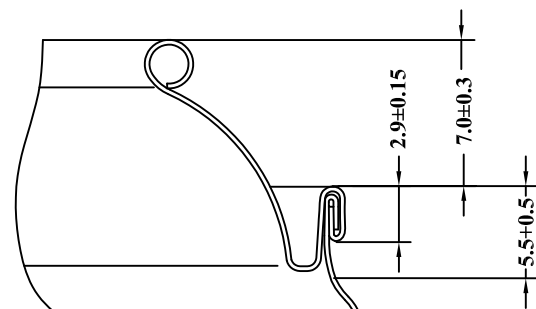
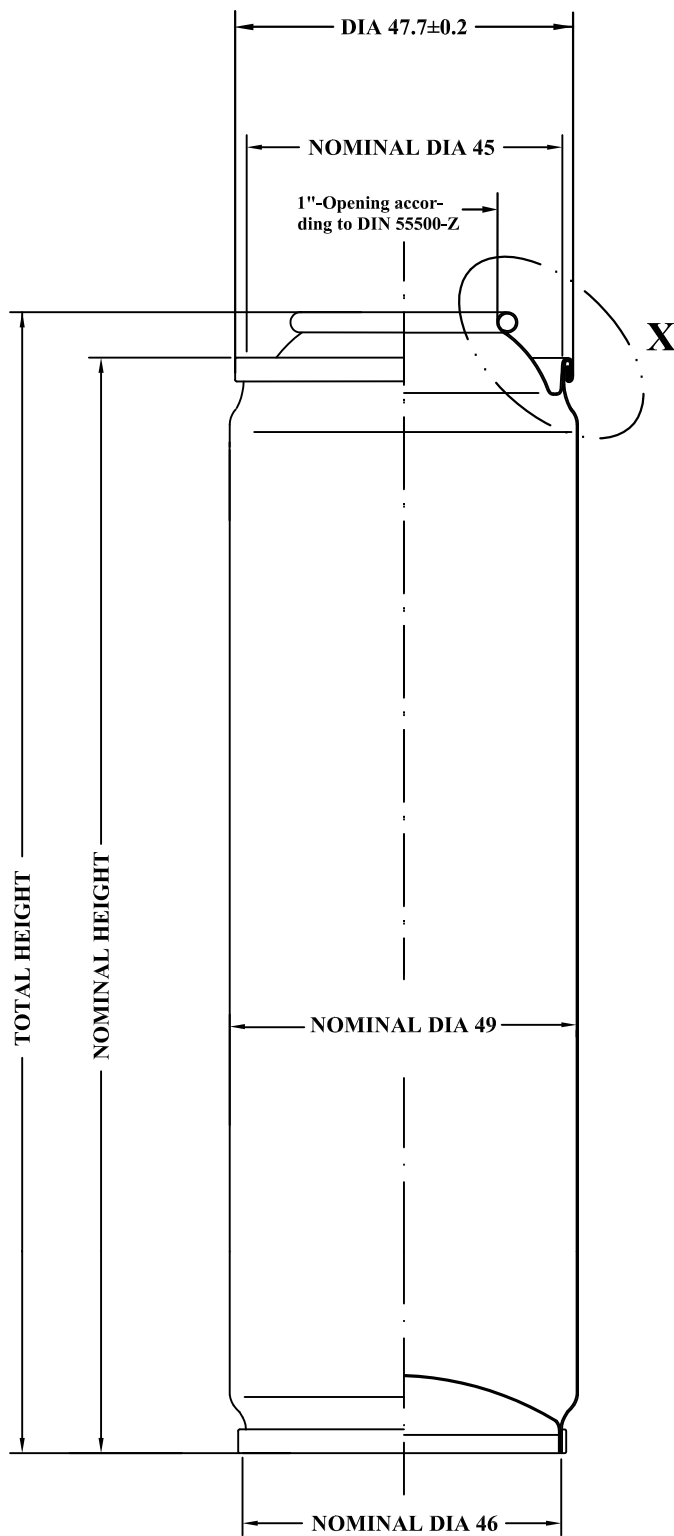


| | | |
|------------------------|-----------------|----------|
| Packaging item: | Ø49/45 x 151 mm | 15,0 bar |
| Content net: | 200 ml | |
| Date: | 1-7-2011 | |
| Internal code: | N/A | |

| Construction | | | |
|-------------------------------|--|------------------------|------|
| Material | Tin plate, Euro standard EN 10202 | | |
| Tin Coating | Body | E 2.0 / 2.0 Fine Stone | |
| | Bottom | E 2.8 / 2.8 Fine Stone | |
| | Top | D 4.0 / 2.8 Fine Stone | |
| Side seam | Soudronic Wima welded | | |
| Lacquered, internal | Body | no inside lacquer | |
| | Side Stripe | no inside lacquer | |
| | Bottom | no inside lacquer | |
| | Top | no inside lacquer | |
| Lacquered, external | Body | outside plain | |
| | Bottom | clear varnish | |
| | Top | clear varnish | |
| Print | If, multicolored offset plus clear varnish | | |
| Pressure specification | Deformation | minimum 15,0 bar | |
| | Burst pressure | minimum 18,0 bar | |
| Delivery and Identity | Cans in packaging referred to order (Compressionpack) at returnable pallets with foil wrapped against dirtiness | | |
| Compound (double seam) | Nature- and synthetic latex | | |
| Dimensions and capacities | | | |
| Can Height | 151,0 | tolerance | ref. |
| Nominal height | 151,0 | ± 0.5 mm | E |
| Overall height | 158,0 | ± 1.0 mm | F |
| Nom. fill volume (liq. prop.) | 200 | | |
| Nom. fill vol. (compr. gas) | | | |
| Brimfull capacity (ml) | 270 | see FEA 214 | |
| Weight (gr) | 47,5 | ± 5% | |
| Body diameter | 49,4 | ± 0.3 mm | D |
| 1-inch opening internal | 25,4 | ± 0.1 mm | A |
| 1-inch opening external | 31,20 | ± 0.15 mm | B |
| Contact height | 4,00 | ± 0.15 mm | |
| Overseam diameter of cone | 47,83,6 | ± 0.3 mm | C |
| Seam length of cone | 2,90 | ± 0.15 mm | |
| Seam wall drop | 5,50 | ± 0.5 mm | G |

| | |
|------------------------|-----------------|
| Packaging item: | Ø49/45 x 151 mm |
| Content net: | 200 ml |
| Date: | 1-7-2011 |
| Internal code: | N/A |

| | |
|--------------------|---------------------------------|
| Miscellaneous | |
| Weight (gr) | 47,5 |
| Palletisation | 3.312 stuks op pallet 1200*1000 |
| Remarks | |
| Minimum production | |
| Minimum deliverie | 1 pallet |



DETAIL X

DIA 49.4±0.2

| NOMINAL-HEIGHT mm | TOTAL HEIGHT ± 1 mm | BRIMFUL CAPACITY ml | NOMINAL CAPACITY ml |
|----------------------|------------------------|------------------------|------------------------|
| 119 | 126.0 | 210 | 150 |
| 151 | 158.0 | 270 | 200 |
| 185 | 192.0 | 335 | 250 |
| 204 | 211.0 | 405 | 300 |
| 222 | 229.0 | 369,4 | 280 |

DIMENSIONS GIVEN IN mm

Aerosol can acc. to the
 - 13. GPSGV-Aerosolpackungsverordnung
 - guideline 75/324/EEC.