

**Packaging item:**

VUL/SK 24 Z BR

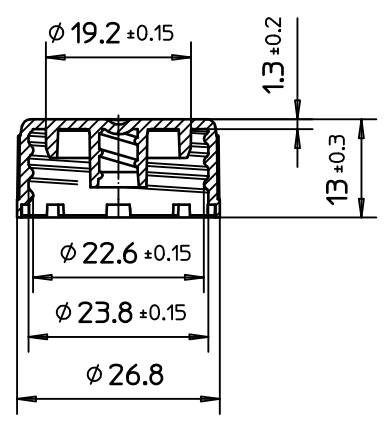
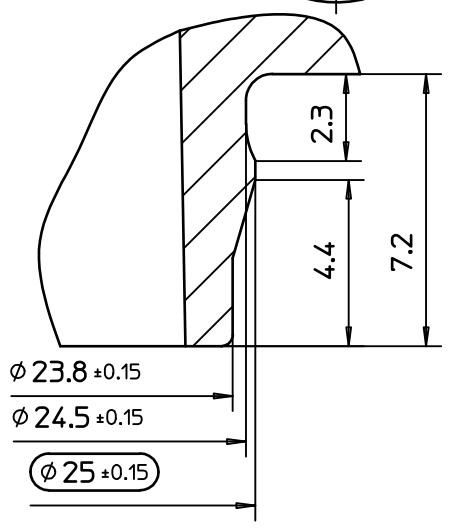
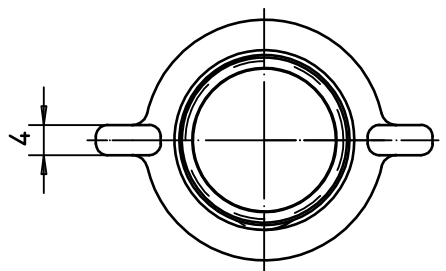
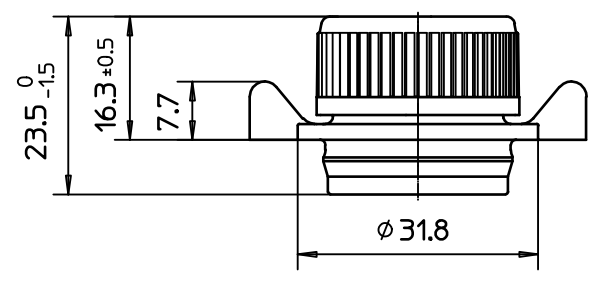
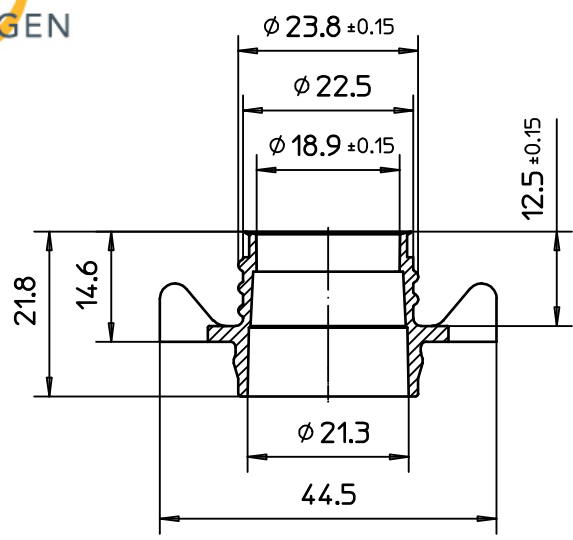
**Date:**

1-10-2011

**Internal code:**

N/A

General product specification		
Description	VUL/SK 24 Z BR	
	Closure fitting for tin plate containers, two piece, for 24mm DIN-piercing, PE made. Base with two handles and cylindrical insertion edge. Screw cap with bore seal and brush holder.	
Product properties		
Components	Resin LDPE	
Storage		
Storage temperature	Minimum	10°C
	Maximum	28°C
	Pallets should be stored in a clean dry area from UV light, smels and high temperature variations. Pallet should not be double stacked.	
Application		
Application temperature	Mininum	18°C
	Maximum	35°C
	Max. head press	250 N
	Meeting the above requirements does not absolve the customer form the requirement to set up the capping equipment as required and from carrying out compatibility tests between the applied closure and filled product.	
	Technical assistance can be provided by Mus Verpakkingen BV.	
Packaging		
Weight (gr)	6,45 gr ± 10%	
Packaging	Carton 3.500	pcs./carton
	Cartons/pallet	20
Remarks		
Tolerances	Customer drawing tolerances relate to the results of measurement averages, except for ovality. Ovality tolerances depend upon transport conditions, packaging media, vibration and temperature.	



- gauge dimension

