

Packaging item:

Closure P2 K CL (B1) DIN

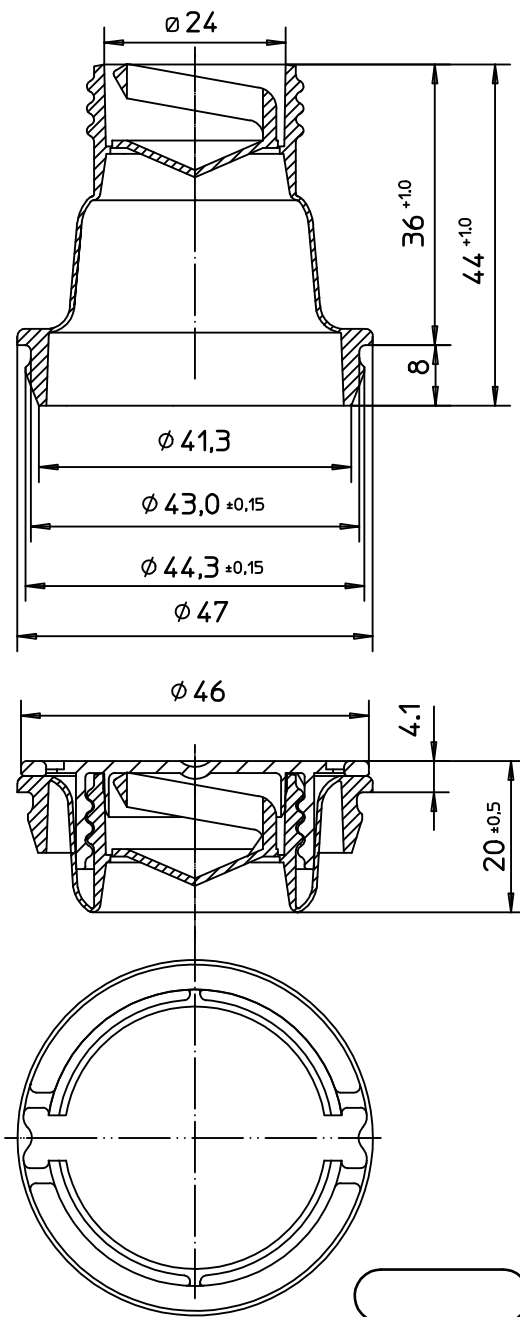
Date:

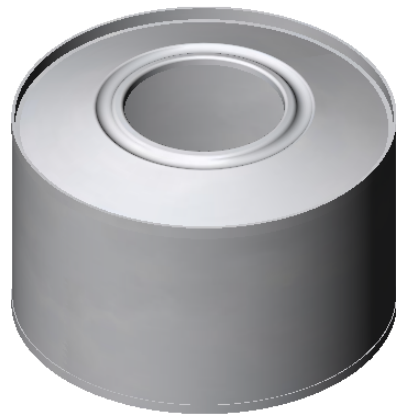
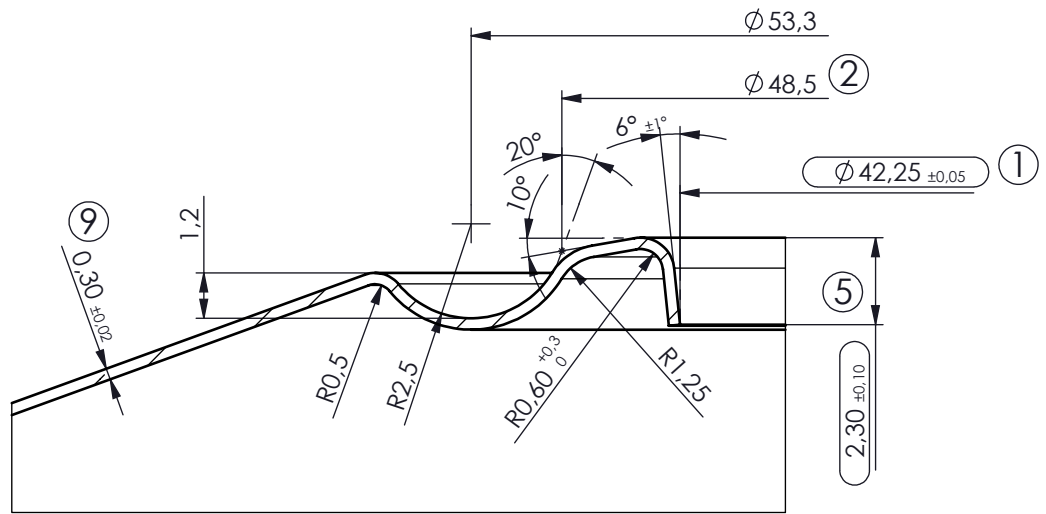
1-12-2011

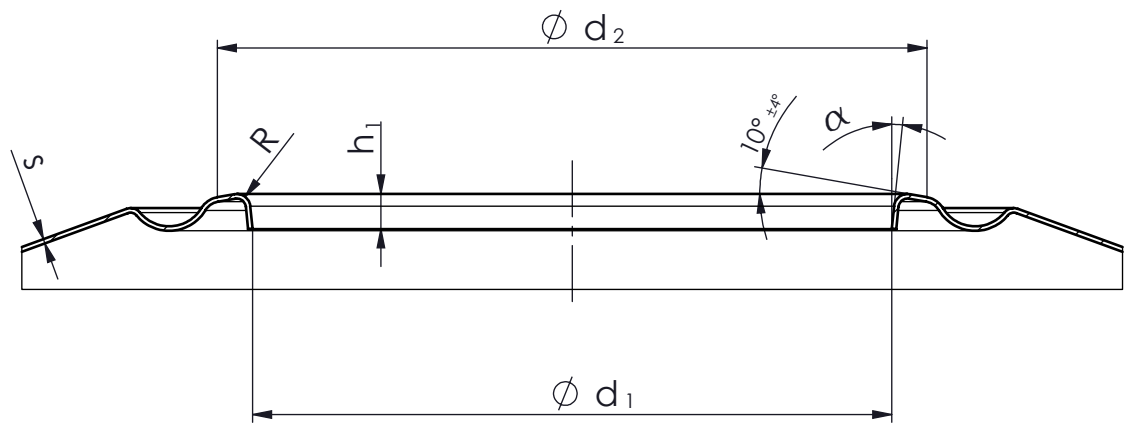
Internal code:

N/A

General product specification		
Description	P2 K CL (B1) DIN	
	Extendable press-in closure for tin plate containers, two piece, for 42 mm	
	DIN-piercing, PE made screw cap, cross linked pull-up spout with tamper	
	evidence tear-off seal and conical insertion edge. Screw cap with bore seal and	
	pull-up handle.	
Product properties		
Components	Resin LDPE	
	Resin HDPE General	
	Resin additive	
Storage		
Storage temperature	Minimum	10°C
	Maximum	28°C
	Direct UV-light during storage must be avoided. The closure should not be	
	subject to penetrating odours or excessive temperature fluctuations.	
	Mus Verpakkingen BV recommends not to store 2 pallets upon the other.	
Application		
Application temperature	Minimum	18°C
	Maximum	28°C
	Meeting the above requirements does not absolve the customer from the	
	requirement to set up the capping equipment as required and from carrying	
	out compatibility test between the applied closure and filled product.	
	Technical assistance can be provided by Mus Verpakkingen BV.	
Packaging		
Weight (gr)	11,74 gr ± 10%	
Packaging	Carton 1.800	pcs./carton
	Cartons/pallet	20
Remarks		
Tolerances	Customer drawing tolerances relate to the results of measurement averages,	
	except for ovality. Ovality tolerances depend upon transport conditions,	
	packaging media, vibration and temperature.	







TYPE A

