

**Packaging item:**

VUP/SK 42 Z BR H DIN

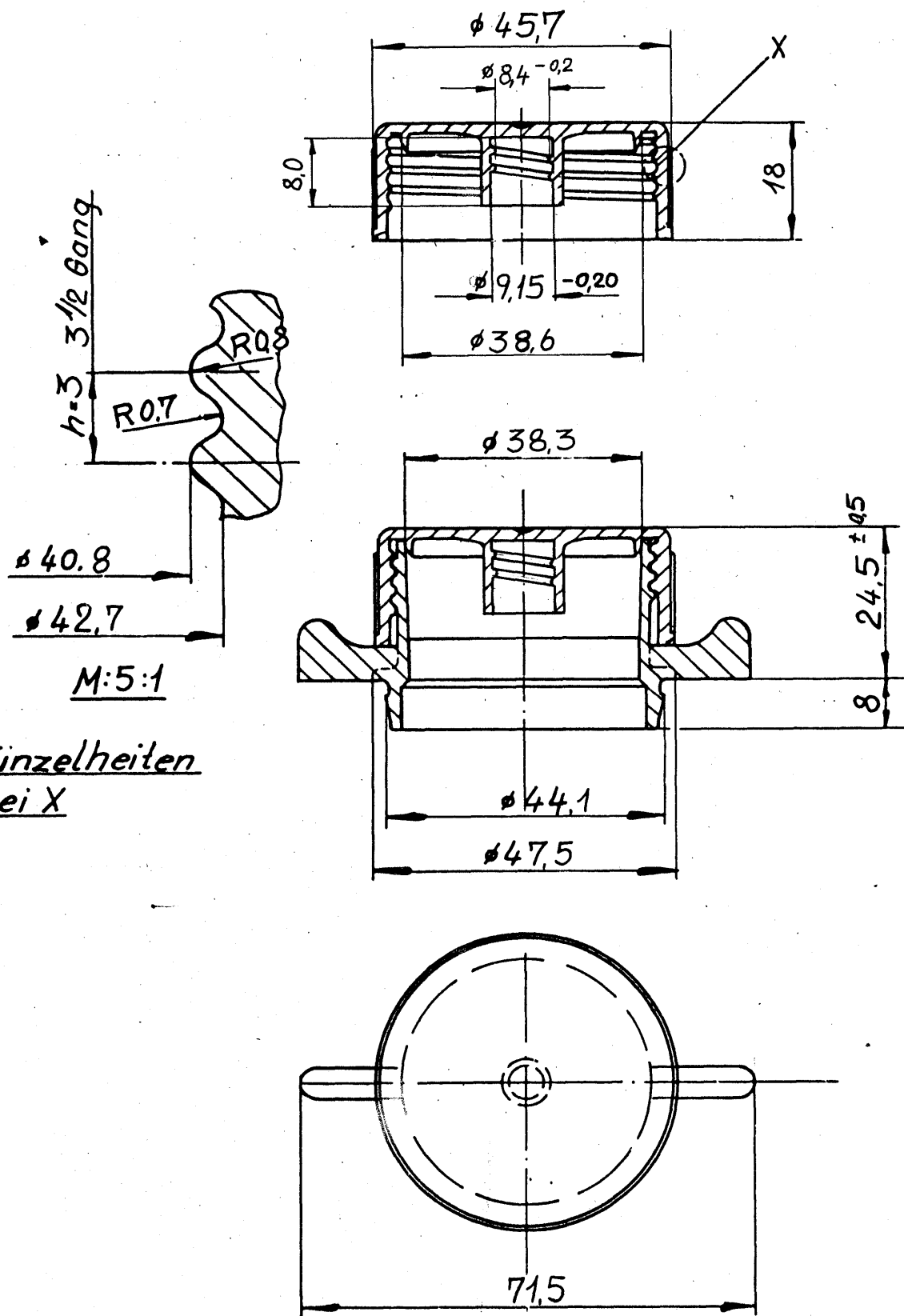
**Date:**

1-7-2011

**Internal code:**

N/A

General product specification		
Description	VUP/SK 42 Z BR H DIN	
	Scrw closure fitting, for tin plate containers, two piece, for 42mm DIN-piercing, PE made. Base with cylindrical insertion edge. High screw cap	
	wit bore seal and brush holder.	
Product properties		
Components	Resin LDPE	
Storage		
Storage temperature	Minimum	10°C
	Maximum	28°C
	Pallets should be stored in a clean dry area from UV light, smels and high temperature variations. Pallet should not be double stacked.	
Application		
Application temperature	Mininum	18°C
	Maximum	28°C
	Max head press.	500N
	Meeting the above requirements does not absolve the customer form the requirement to set up the capping equipment as required and from carrying out compatibility tests between the applied closure and filled product.	
	Technical assistance can be provided by Mus Verpakkingen BV.	
Packaging		
Weight (gr)	16,15 gr ± 10%	
Packaging	Carton 1.000	pcs./carton
	Cartons/pallet	20
Remarks		
Tolerances	Customer drawing tolerances relate to the results of measurement averages, except for ovality. Ovality tolerances depend upon transport conditions, packaging media, vibration and temperature.	



Einzelheiten  
bei X

Frei- toleranz:  $\pm 0,3$	Datum	Name	Werkstoff	Unsere Zeichnungen dürfen ohne unsere schriftliche Genehmigung weder vervielfältigt, noch Dritten zugänglich gemacht werden. Auch dürfen ihnen keinerlei Teile entnommen werden. Sie bleiben unser unumschränktes geistiges Eigentum. (36-40 des Gesetzes v. 19. Juni 1901)
	Gezeichnet	12.9.88	<i>F. Müller</i>	
	Geprüft		<i>F. Müller</i>	
Normgepr.				
Maßstab: 1:1 5:1	VUP/SK 42 PH, $\phi 9\text{mm}$ , "Z"			Artikelnummer: K 162802
				Jacob Berg KG. Verpackungswerke Budenheim/Rhein

**Packaging item:**

Brush 144 mm

**Date:**

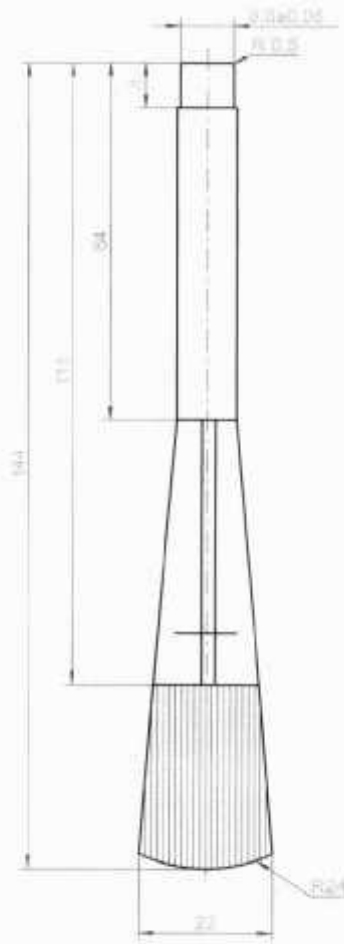
1-10-2011

**Internal code:**

N/A

General product specification

Description	HD-PE kunststoff
	PE Weiss Farb-Batch
	PU-2K Kleber
	Helle Chinaborsten Besatz



Freimultoleranz nach DIN 7168-m