

**Packaging item:**

Closure VUN SK30/16 AF

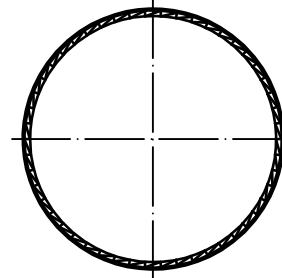
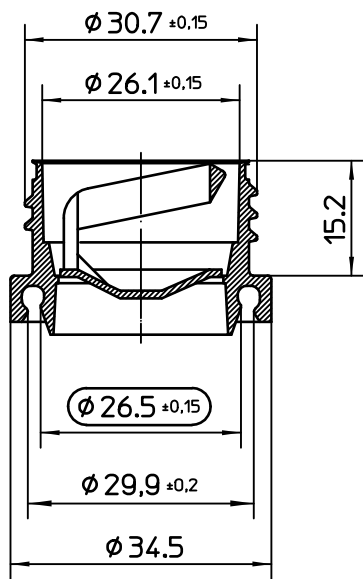
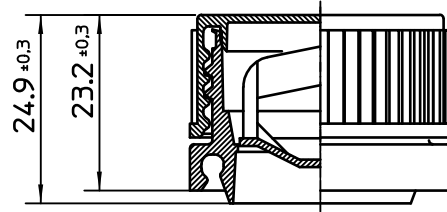
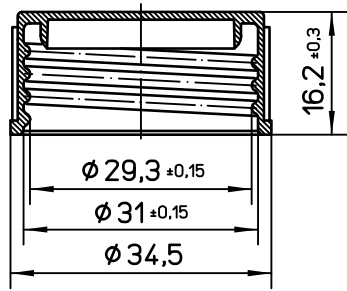
**Date:**

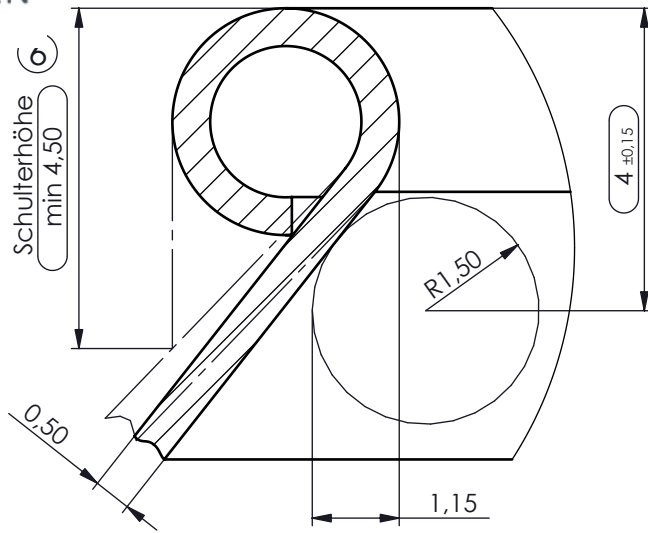
1-7-2011

**Internal code:**

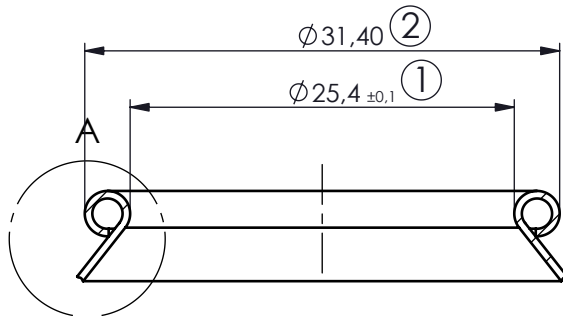
N/A

General product specification		
Description	VUN SK30/16 AF	
	Closure fitting for tin-plate containers, two piece, for aerosol cans with	
	1 inch opening, PE made. Base with pouring lid and tamper evidence	
	tear-off seal. Screw cap with bore seal, 16mm high.	
Product properties		
Components	Resin LDPE	
	Resin HDPE	
Storage		
Storage temperature	Minimum	10°C
	Maximum	28°C
	Pallets should be stored in a clean dry area away from UV light, smells and	
	high temperature variations. Pallets should not be double stacked.	
	Closures are to be used within 12 months after date of delivery.	
Application		
Application temperature	Minimum	18°C
	Maximum	28°C
	Meeting the above requirements does not absolve the customer from the	
	requirement to set up the capping equipment as required and from carrying	
	out compatibility test between the applied closure and filled product.	
	Technical assistance can be provided by Mus Verpakkingen BV.	
Packaging		
Weight (gr)	8,29 gr ± 10%	
Packaging	Carton 2.300	pcs./carton
	Cartons/pallet	20
Remarks		
Tolerances	Customer drawing tolerances relate to the results of measurement averages,	
	except for ovality. Ovality tolerances depend upon transport conditions,	
	packaging media, vibration and temperature.	





DETAIL A  
MAßSTAB 10 : 1



SCHNITTDARSTELLUNG A-A  
MAßSTAB 2 : 1

