

Packaging item:

Closure S2 KAK IRR

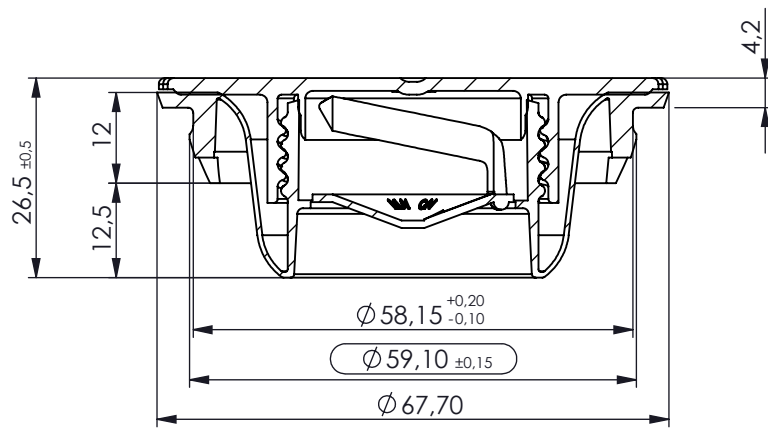
Date:

1-1-2012

Internal code:

N/A

General product specification		
Description	S2 KAK IRR	
	Extendable press-in closure, for tin plate containers, two piece, for 57mm	
	DIN-piercing, PE made. Cross linked flexible pull-up spout with tamper	
	evidence tear-off seal and conical insertion edge with residue drainage,	
	irradiated. Screw cap with bore seal and pull-up handle.	
Product properties		
Components	Resin HDPE General	
	Resin EVA General	
Storage		
Storage temperature	Minimum	10°C
	Maximum	28°C
	Pallets should be stored in a clean dry area away from UV light, smells and high temperature variations. Pallets should not be double stacked.	
	Closures are to be used within 12 months after date of delivery.	
Application		
Application temperature	Minimum	18°C
	Maximum	28°C
	Meeting the above requirements does not absolve the customer from the requirement to set up the capping equipment as required and from carrying out compatibility test between the applied closure and filled product.	
	Technical assistance can be provided by Mus Verpakkingen BV.	
Packaging		
Weight (gr)	21,03 gr ± 10%	
Packaging	Carton 700	pcs./carton
	Cartons/pallet	20
Remarks		
Tolerances	Customer drawing tolerances relate to the results of measurement averages, except for ovality. Ovality tolerances depend upon transport conditions, packaging media, vibration and temperature.	



A-A (1 : 1)

