

Packaging item:

Closure SK 38/23 PV PE

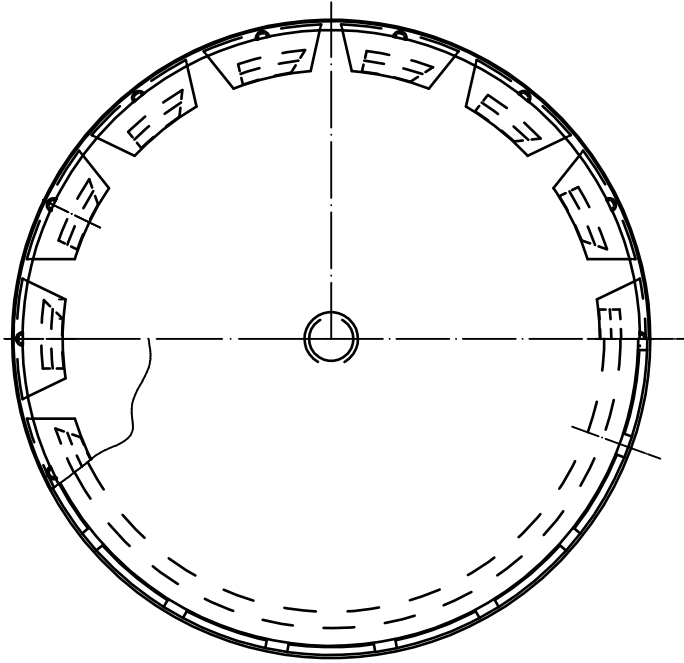
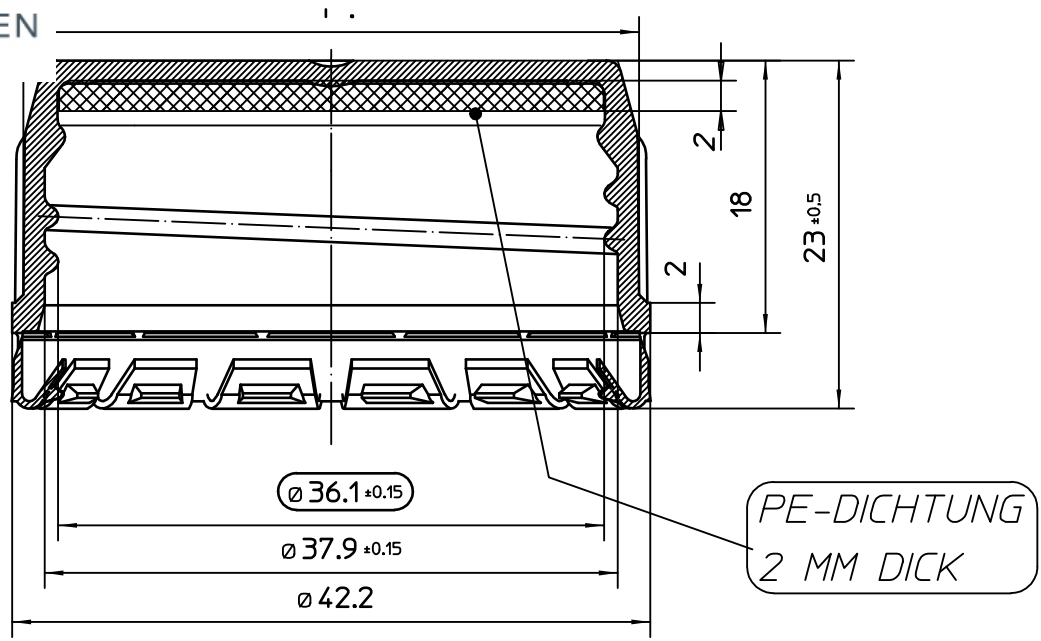
Date:

1-7-2011

Internal code:

N/A

General product specification		
Description	SK 38/23 PV PE	
	Screw cap with tamper evidence band for plastic containers wit 38mm neck finish. Two piece, PE wad.	
Product properties		
Components	Resin HDPE General	
	Resin HPDE OrgLeptic	
	PE liner	
	IHS PE liner/cardb.	
Storage		
Storage temperature	Minimum	10°C
	Maximum	28°C
	Pallets should be stored in a clean drya area away from UV light, smells and high temperature variations. Pallets should not be double stacked.	
	Closures are to be used within 12 months after date of delivery.	
Application		
Application temperature	Mininum	18°C
	Maximum	28°C
	Manual apl. Torque	2,5 Nm (22,08 Inch lbs) ± 20%
	Max. head pressure	100 N
	Meeting the above requirements does not absolve the customer from the requirement to set up the capping equipment as required and from carrying out compatibility test between the applied closure and filled product.	
	Technical assistance can be provided by Mus Verpakkingen BV.	
Packaging		
Weight (gr)	5,80 gr ± 10%	
Packaging	Carton 1.800	pcs./carton
	Cartons/pallet	20
Remarks		
Tolerances	Customer drawing tolerances relate to the results of measurement averages, except for ovality. Ovality tolerances depend upon transport conditions, packaging media, vibration and temperature.	



Dichtscheibe

