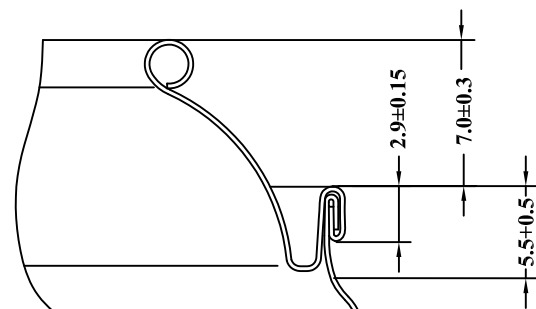
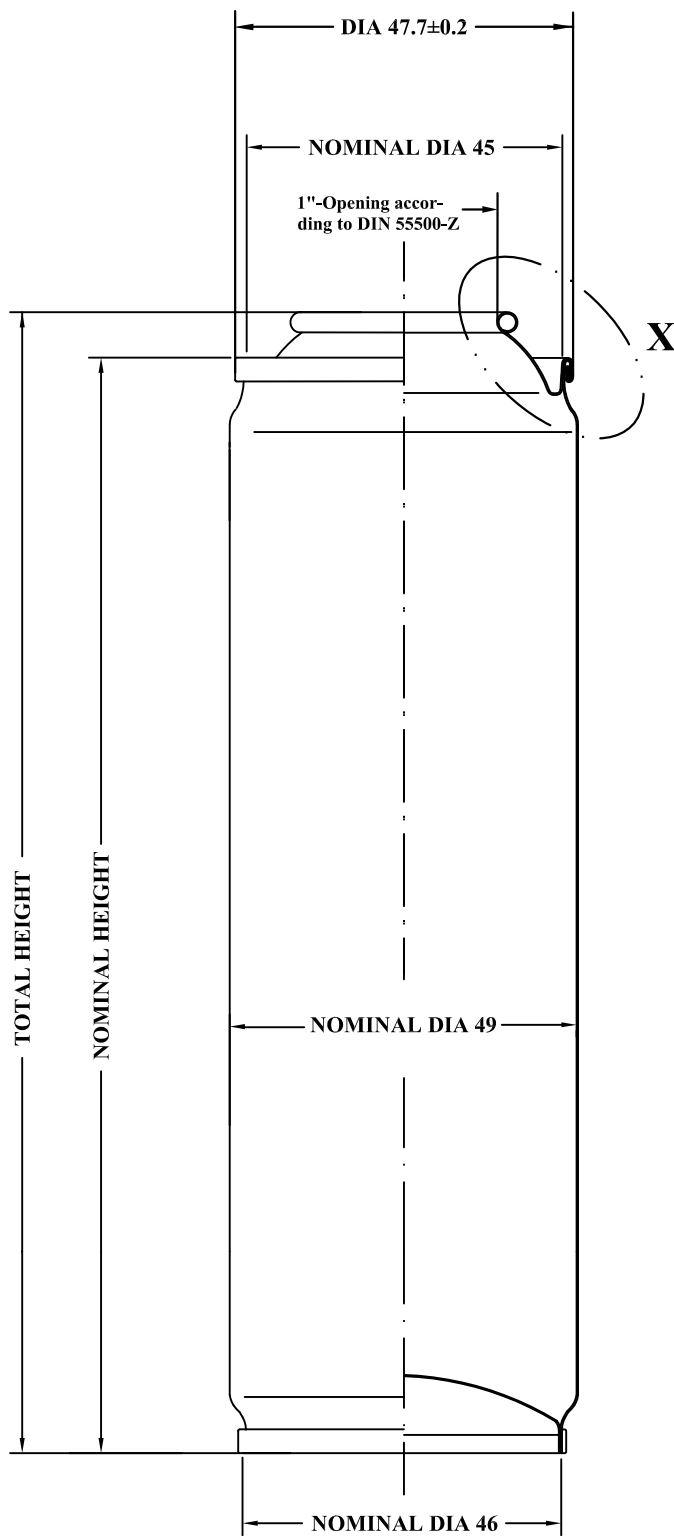


<b>Packaging item:</b>	Ø49/45 x 185 mm	15,0 bar
<b>Content net:</b>	250 ml	
<b>Date:</b>	1-7-2011	
<b>Internal code:</b>	N/A	

Construction			
Material	Tin plate, Euro standard EN 10202		
Tin Coating	Body	E 2.0 / 2.0 Fine Stone	
	Bottom	E 2.8 / 2.8 Fine Stone	
	Top	D 4.0 / 2.8 Fine Stone	
Side seam	Soudronic Wima welded		
Lacquered, internal	Body	no inside lacquer	
	Side Stripe	no inside lacquer	
	Bottom	no inside lacquer	
	Top	no inside lacquer	
Lacquered, external	Body	outside plain	
	Bottom	clear varnish	
	Top	clear varnish	
Print	If, multicolored offset plus clear varnish		
Pressure specification	Deformation	minimum 15,0 bar	
	Burst pressure	minimum 18,0 bar	
Delivery and Identity	Cans in packaging referred to order (Compressionpack) at returnable pallets with foil wrapped against dirtiness		
Compound (double seam)	Nature- and synthetic latex		
Dimensions and capacities			
Can Height	185,0	tolerance	ref.
Nominal height	185,0	± 0.5 mm	E
Overall height	192,0	± 1.0 mm	F
Nom. fill volume (liq. prop.)	250		
Nom. fill vol. (compr. gas)			
Brimfull capacity (ml)	335	see FEA 214	
Weight (gr)	54,0	± 5%	
Body diameter	49,4	± 0.3 mm	D
1-inch opening internal	25,4	± 0.1 mm	A
1-inch opening external	31,20	± 0.15 mm	B
Contact height	4,00	± 0.15 mm	
Overseam diameter of cone	47,80	± 0.3 mm	C
Seam length of cone	2,90	± 0.15 mm	
Seam wall drop	5,50	± 0.5 mm	G

<b>Packaging item:</b>	Ø49/45 x 185 mm
<b>Content net:</b>	250 ml
<b>Date:</b>	8-2-2010
<b>Internal code:</b>	N/A

Miscellaneous	
Weight (gr)	54
Palletisation	2.484 stuks op pallet 1200*800
Remarks	
Minimum production	
Minimum deliverie	1 pallet



**DETAIL X**

DIA 49.4±0.2

NOMINAL-HEIGHT mm	TOTAL HEIGHT ± 1 mm	BRIMFUL CAPACITY ml	NOMINAL CAPACITY ml
119	126.0	210	150
151	158.0	270	200
185	192.0	335	250
204	211.0	405	300
222	229.0	369,4	280

DIMENSIONS GIVEN IN mm

Aerosol can acc. to the  
 - 13. GPSGV-Aerosolpackungsverordnung  
 - guideline 75/324/EEC.