

Packaging item:

VUN/SK 30/15 CR ALU PEEL REL

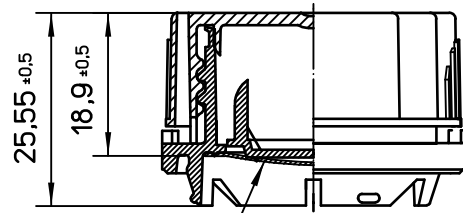
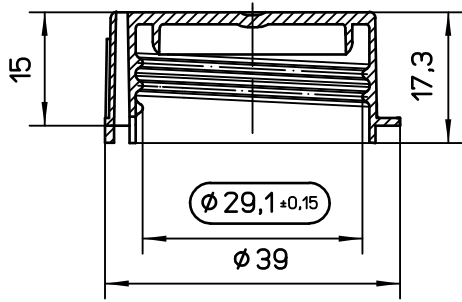
Date:

1-7-2011

Internal code:

N/A

General product specification		
Description	VUN/SK 30/15 CR ALU PEEL REL	
	Closure fitting for tin plate containers, two piece, for 32 mm PE-made.	
	Base with universal insertion edge and drain off recesses, single action tamper evidence tear-off seal, attached to ALU-permeation.	
<p>Child resistance is in accordance with Standard ISO 8317 (2003). The distributor/bottler of the packaging is responsible for guaranteeing the function of child resistance for the total packaging (container, filling material, closure) over the corresponding life span. Mus Verpakkingen BV points out explicitly that aggressive filling materials can affect the function of child resistance of the closure negatively. Child resistance function has to be examined by the distributor/bottler, before the total packaging is launched to the market.</p>		
Product properties		
Components	Resin LDPE	
	Resin HDPE General	
	IHS PE liner	
Storage		
Storage temperature	Minimum	10°C
	Maximum	28°C
Pallets should be stored in a clean dry area from UV light, smels and high temperature variations. Pallet should not be double stacked.		
Application		
Application temperature	Minumum	18°C
	Maximum	35°C
	Max. head pressure	400 N
Meeting the above requirements does not absolve the customer form the requirement to set up the capping equipment as required and from carrying out compatibility tests between the applied closure and filled product.		
Technical assistance can be provided by Mus Verpakkingen BV.		
Packaging		
Weight (gr)	8,97 gr ± 10%	
Packaging	Carton 2.000	pcs./carton
	Cartons/pallet	20
Remarks		
Tolerances	Customer drawing tolerances relate to the results of measurement averages, except for ovality. Ovality tolerances depend upon transport conditions, packaging media, vibration and temperature.	



IHS Al/PE 36,5x0,09 PEEL

