

**Packaging item:**

VUP D 5-30

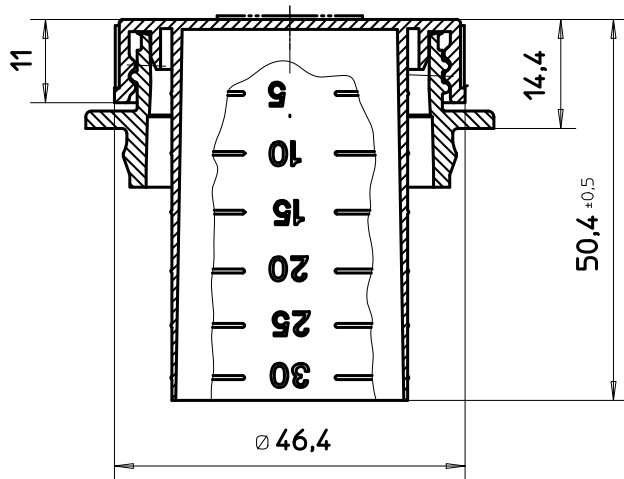
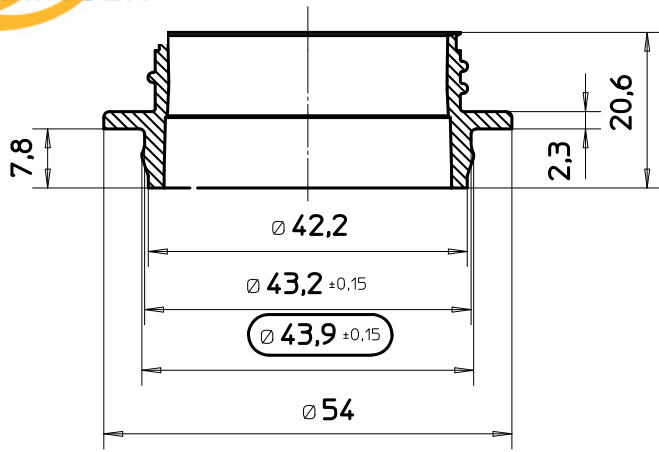
**Date:**

1-7-2012

**Internal code:**

N/A

General product specification		
Description	VUP D 5-30	
	Closure fitting with measuring cap for tin plate containers, two piece, for 42 mm DIN-piercing, PE made. Base with tamper evidence tear-off seal. Screw cap with 5-30ml measuring cup and bore seal.	
Product properties		
Components	Resin LDPE General	
	Resin HDPE General	
Storage		
Storage temperature	Minimum	10°C
	Maximum	28°C
	Pallets should be stored in a clean dry area from UV light, smels and high temperature variations. Pallet should not be double stacked.	
	Closures are to be used within 12 months after delivery.	
Application		
Application temperature	Minimum	18°C
	Maximum	28°C
	Meeting the above requirements does not absolve the customer from the requirement to set up the capping equipment as required and from carrying out compatibility tests between the applied closure and filled product.	
	Technical assistance can be provided by Mus Verpakkingen BV.	
Packaging		
Weight (gr)	15,86 gr ± 10%	
Packaging	Carton 700	pcs./carton
	Cartons/pallet	20
Remarks		
Tolerances	Customer drawing tolerances relate to the results of measurement averages, except for ovality. Ovality tolerances depend upon transport conditions, packaging media, vibration and temperature.	



M 2:1

