

Packaging item:

VUP/SK 43/11 CR DIN

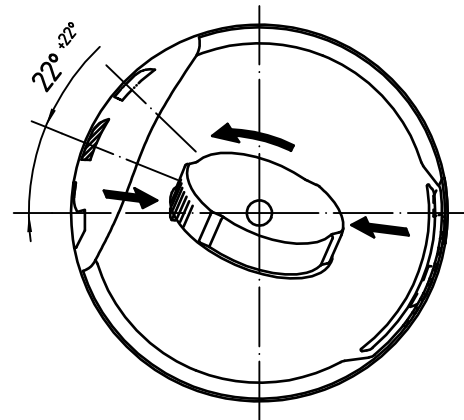
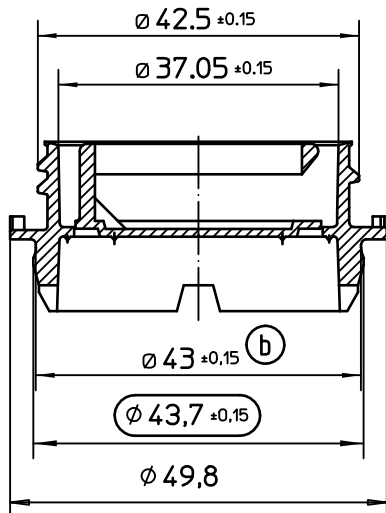
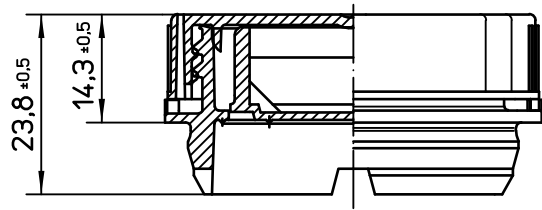
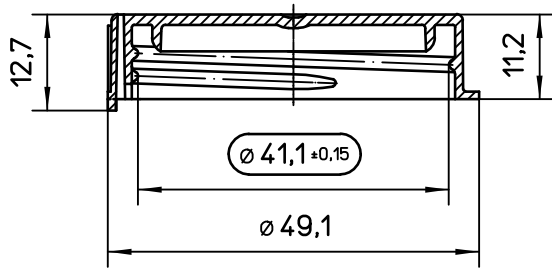
Date:

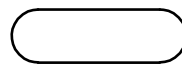
1-12-2011

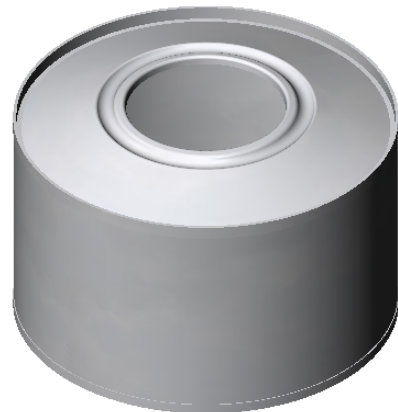
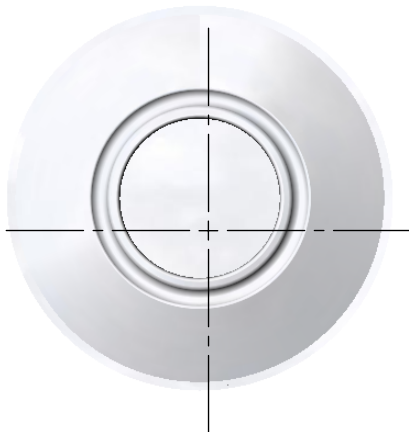
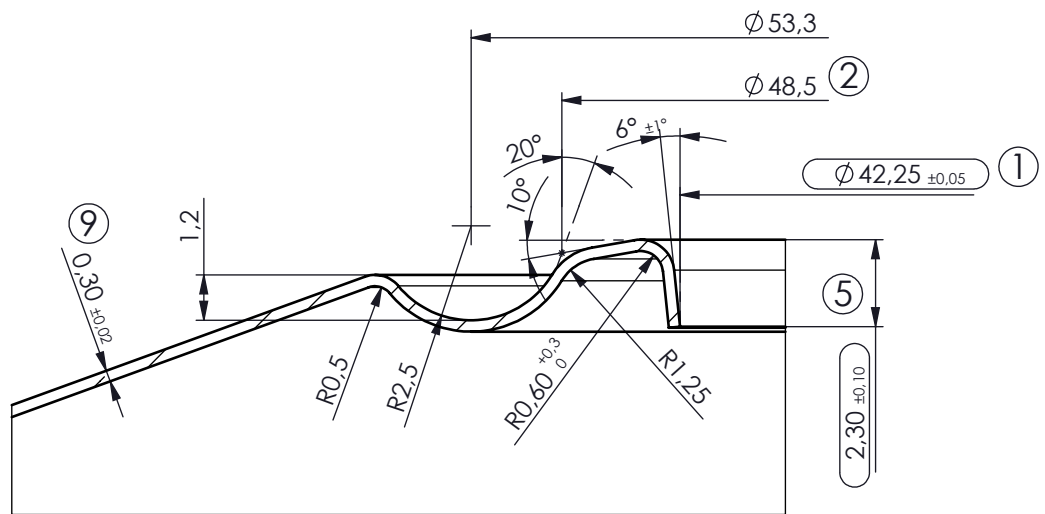
Internal code:

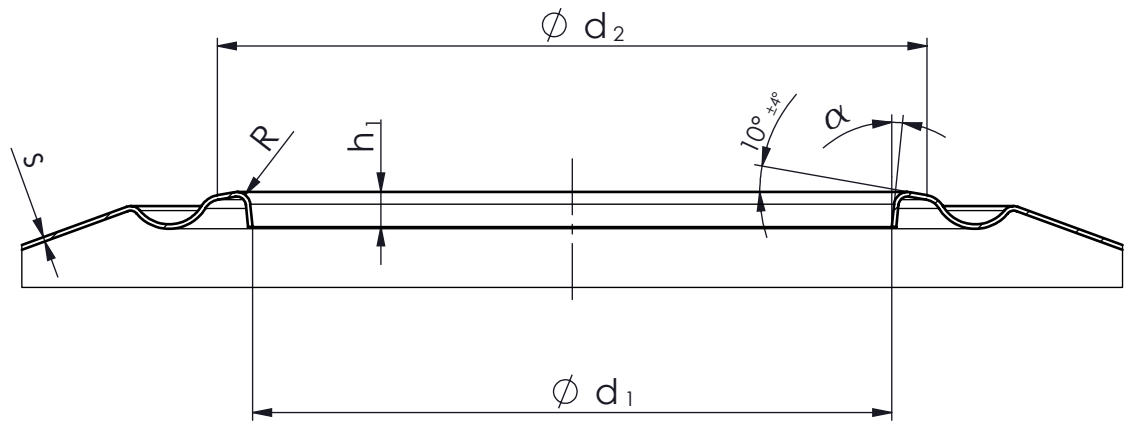
N/A

General product specification		
Description	VUP/SK 43/11 CR DIN	
	Closure fitting for tin plate containers, with 42 mm DIN-piercing, two piece, PE made. Base with tamper evidence tear-off seal. Screw cap ergonomically shaped with bore seal, 11 mm high, with child resistant function.	
Product properties		
Components	Resin LDPE	
	Resin HDPE General	
	Resin additive	
Storage		
Storage temperature	Minimum	10°C
	Maximum	28°C
	Pallets should be stored in a clean dry area from UV light, smels and high temperature variations. Pallet should not be double stacked.	
Application		
Application temperature	Minimum	18°C
	Maximum	28°C
	Max. head pressure	500N
	Meeting the above requirements does not absolve the customer from the requirement to set up the capping equipment as required and from carrying out compatibility tests between the applied closure and filled product.	
	Technical assistance can be provided by Mus Verpakkingen BV.	
Packaging		
Weight (gr)	12,44 gr ± 10%	
Packaging	Carton 1.400	pcs./carton
	Cartons/pallet	20
Remarks		
Tolerances	Customer drawing tolerances relate to the results of measurement averages, except for ovality. Ovality tolerances depend upon transport conditions, packaging media, vibration and temperature.	



 - gauge dimension





TYPE A

